

# NDA-U-PMAS Pole mount adapter small

www.boschsecurity.com



**BOSCH**

Invented for life



- ▶ Compact pole mount adapter for direct installation of the Bosch pendant wall mount
- ▶ Modular design for fast and easy installation
- ▶ Vandal resistant design for indoor and outdoor use
- ▶ Weather resistant finish to maintain cosmetic appearance

The modular camera mounts & accessories are a family of mounts, mounting adapters, pendant interface plates and surveillance cabinets which can be used with a wide range of Bosch cameras. The accessories are easy to install and can be combined to simplify installation in multiple locations whilst retaining the same look and feel.

## Functions

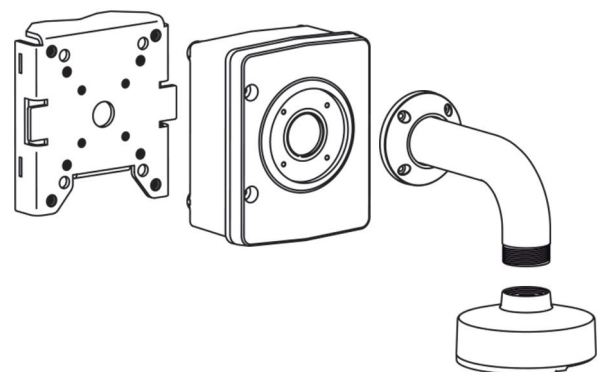
### Pole mount adapter

Compact pole mount adapter for direct installation of pendant wall mount.

### Universal accessory combinations

It provides a safe and robust solution to mount cameras together with the following accessories.

- NDA-U-WMT Pendant wall mount
- NDA-U-PSMB Pendant wall/ceiling mount SMB



**Certifications and approvals**

**Environmental**

Salt mist	IEC60068-2-52
Vibration	NEMA TS2
Shock	IEC60068-2-27
Impact	IK10

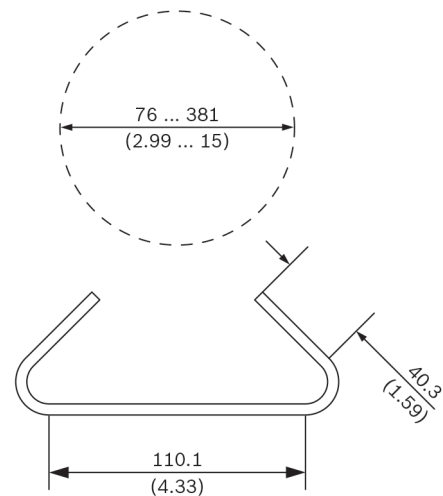
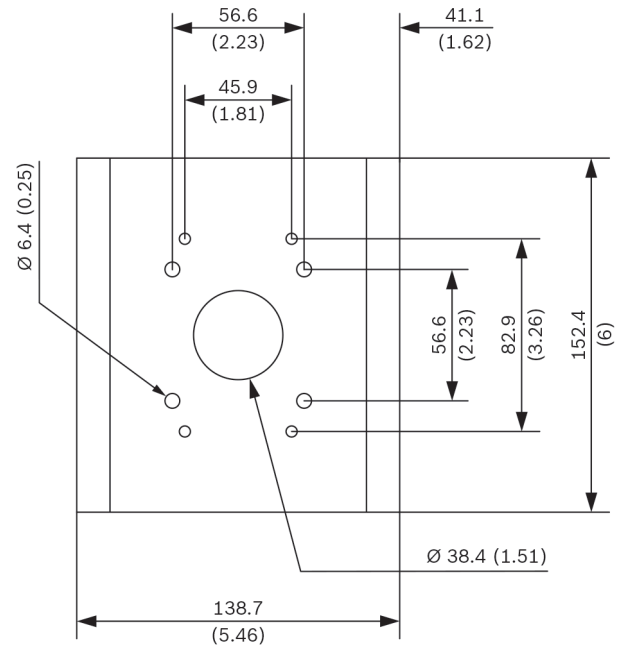
**Parts included**

Quantity	Component
1	Pole mount adapter small
4	M6 x 20 mm Hex screw
4	M6 spring washer
4	M6 washer
4	#6-32 x 1 inch Slotted Oval head screw
2	Strap, stainless, 5 feet long
2	Buckle
1	Quick Installation Guide

**Technical specifications**

**Mechanical**

Dimensions (W x H)	129 x 152 mm (5.1 x 6.0 in)
Weight	508 g (1.12 lb)
Standard Color	White (RAL 9003)
Construction Material	Aluminum alloy



Dimensions in mm (inch)

**Ordering information**

**NDA-U-PMAS Pole mount adapter small**

Pole mount adapter small  
 Universal pole mount adapter, white; small.  
 Order number **NDA-U-PMAS**

**Accessories**

**NDA-U-PSMB Pendant wall/ceiling mount SMB**

Surface mount box (SMB) for wall mount or pipe mount.  
 Order number **NDA-U-PSMB**

**NDA-U-WMT Pendant wall mount**

Universal wall mount for dome cameras, white  
 Order number **NDA-U-WMT**

**Represented by:**

**Europe, Middle East, Africa:**  
Bosch Security Systems B.V.  
P.O. Box 80002  
5600 JB Eindhoven, The Netherlands  
Phone: + 31 40 2577 284  
emea.securitysystems@bosch.com  
emea.boschsecurity.com

**Germany:**  
Bosch Sicherheitssysteme GmbH  
Robert-Bosch-Ring 5  
85630 Grasbrunn  
Germany  
www.boschsecurity.com

**North America:**  
Bosch Security Systems, Inc.  
130 Perinton Parkway  
Fairport, New York, 14450, USA  
Phone: +1 800 289 0096  
Fax: +1 585 223 9180  
onlinehelp@us.bosch.com  
www.boschsecurity.us

**Asia-Pacific:**  
Robert Bosch (SEA) Pte Ltd, Security Systems  
11 Bishan Street 21  
Singapore 573943  
Phone: +65 6571 2808  
Fax: +65 6571 2699  
apr.securitysystems@bosch.com  
www.boschsecurity.asia